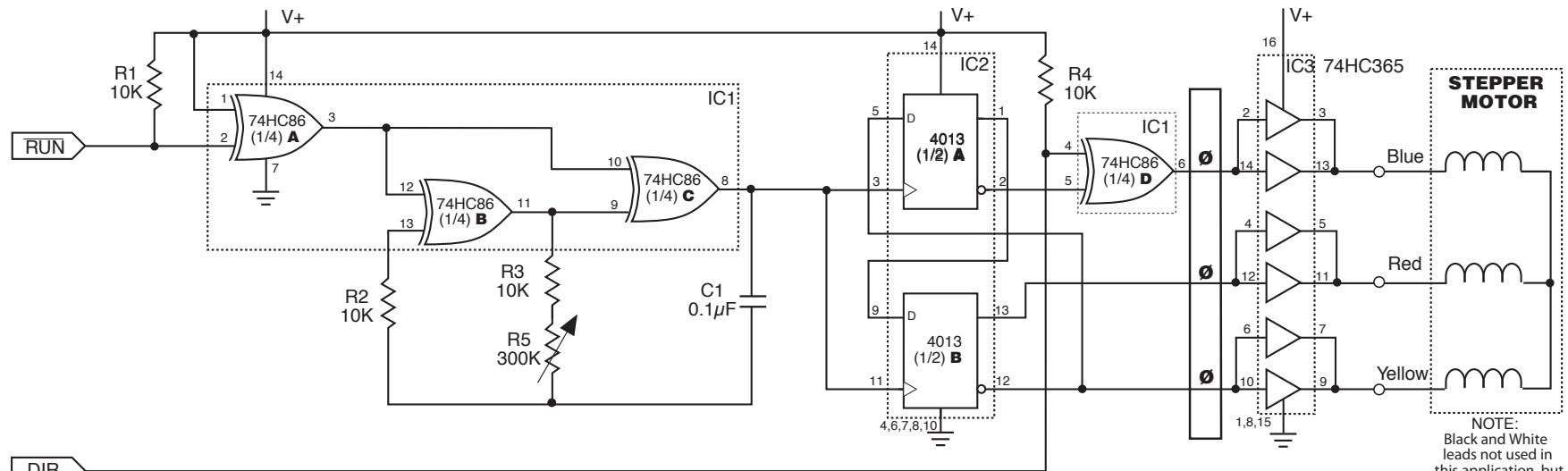


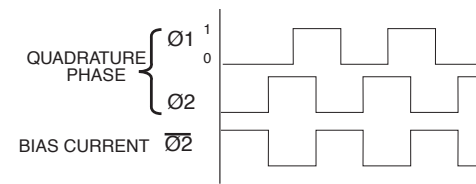
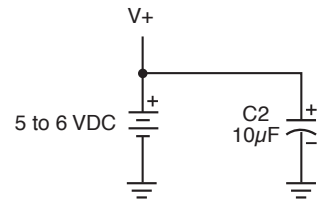
G14197- Miniature Stepper Motor

**ELECTRONIC
GOLDMINE**

www.goldmine-elec.com



NOTE:
Black and White
leads not used in
this application, but
they could be
shorted together for
this circuit to work.



©2003 The Electronic Goldmine

www.goldmine-elec.com